

SANY

HYDRAULIC EXCAVATOR SY75C

Engine **ISUZU CP-4LE2XA-S**
Power **43 KW/2000 RPM**
Operating Weight **7280 KG**
Ground Pressure **33 KPA**



- RELIABLE FIRST-CLASS COMPONENTS
- LOWER FUEL CONSUMPTION
- SIMPLIFIED SERVICE

SPECIFICATIONS

ENGINE	
Model	ISUZU CP-4LE2XA-S
Displacement (L)	2,2
Engine power at rated engine speed (kW/rpm)	43/2000
Max. Torque (N · m/rpm)	215/1800

SERVICE REFILL CAPACITIES (L)	
Fuel tank	150
Engine coolant	12
Engine oil	10
Swing drive	None
Final drive (each side)	2,5
Hydraulic oil tank	120

HYDRAULIC SYSTEM	
Typ	Load sensing system
Number of selectable working modes	3
Main pump	
Typ	Variable-capacity piston pumps
Maximum flow (L/min)	90
Hydraulic motors	
Travel	2*axial piston motor with parking brake
Swing	1*axial piston motor with swing holding brake
Relief valve setting	
Implement circuits (MPa)	28
Travel circuit (MPa)	26
Swing circuit (MPa)	21
Pilot circuit (MPa)	3,5
Hydraulic cylinders	
Boom cylinder diameter x stroke (mm)	110x885
Arm cylinder diameter x stroke (mm)	90x900
Bucket cylinder diameter x stroke (mm)	80x730
Blade cylinder diameter x stroke (mm)	130x145










OPERATING WEIGHT	
Operating weight with standard bucket, fully serviced, +75 kg operator (ISO)	
Operating weight (kg)	7280
Ground Pressure (kPa)	33

DRIVE	
Travel Speed (Low/High) (km/h)	2,4/4,4
Maximum Travel Force (kN)	56,8
Gradeability	35°

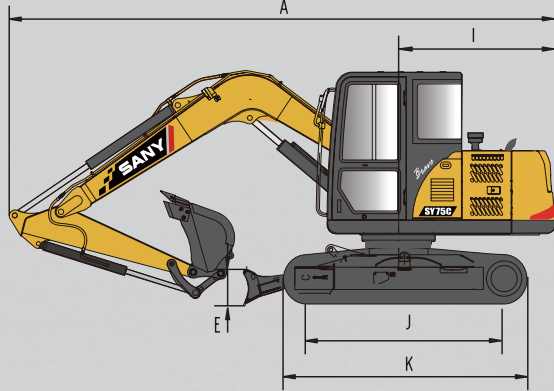
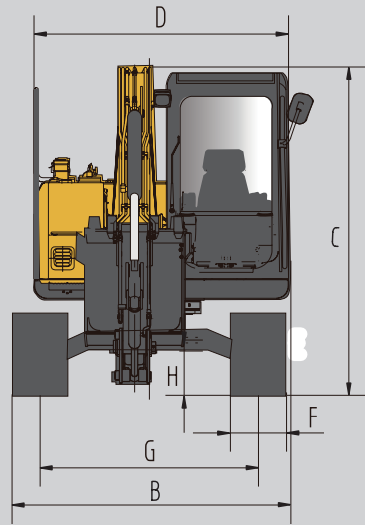
SWING	
Swing Speed (rpm)	10

DIGGING FORCE	
Bucket Digging Force (kN)	51
Arm Digging Force (kN)	30

LIFTING CAPACITY

A B	MAX		2.0m		3.0m		4.0m		5.0m		
	Maximum										
5m (kg)	3812	1500	1500			1700	1700				
4m (kg)	4564	1350	1200			1850	1850	1800	1500		
3m (kg)	5008	1250	1050	3200	3200	2200	2200	1800	1450	1300	1050
2m (kg)	5225	1150	950			2100	2100	1750	1400	1250	1000
1m (kg)	5243	1150	900			1950	1950	1650	1400	1250	1000
0m (kg)	5065	1200	950			1900	1900	1650	1300	1200	950
-1m (kg)	4668	1300	1050	*2735	2000	1900	1900	1600	1300		
-2m (kg)	3988	1650	1300	*2135	2050	1900	1900				

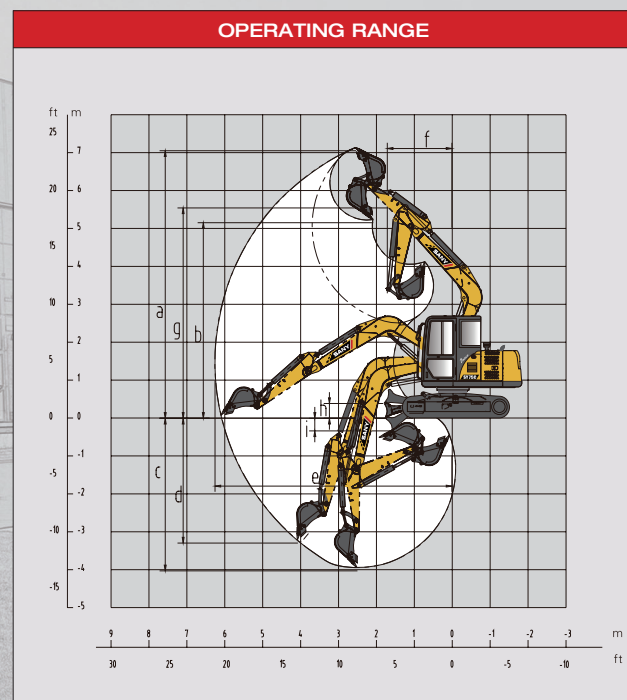
DIMENSIONS



ITEM	mm
A Transport Length	6095
B Transport Width	2220
C Transport Height	2760
D Upperstructure Width	2040
E Blade Height	405
F Standard Track Shoe Width	450
G Track Gauge	1750
H Minimum Ground Clearance	380
I Tail Swing Radius	1800
J Center distance of tumbler	2195
K Overall length of crawler	2815
Counterweight Clearance	775
Boom Length	3720
Arm Length	2050

UNDERCARRIAGE	
Track shoe width (mm)	450
Number of track shoes (per side)	39
Carrier roller (per side)	1
Track roller (per side)	5

ITEM	mm
A Max. Digging Height	7390
B Max. Dumping Height	5490
C Max. Digging Depth	4450
D Max. Vertical Digging depth	3840
E Max. Digging Reach	6600
F Min. Swing Radius	1940
G Height at Min. Swing Radius	5500
H Max. Clearance when Blade up	390
I Max. Depth of Blade down	330



Standard Equipment

Operators Environment

- ROPS cabin mounted on Silicone Rubber
- Short joystick + Multi-functions equipped
- Mechanical suspension seat
- Multi Language Display
- Air conditioning C/H
- Radio
- 12v outlet
- Cup holder
- Document compartment

Safety

- Battery master switch
- Fire-Extinguisher
- Emergency Hammer
- Rear mirror
- Travel Alarm and Beacon
- Overload warning for lifting
- Safety valves Boom
- Engine emergency cut off from ground
- User Manual language (EN)

Working Equipment

- Boom :Standard 3720mm
- Arm:Standard 2050mm
- Hydraulic QC line controlled on joystick
- Break&Shear line proportional on Joystick
- Fuel filler pump

Upper structure

- Battery Box
- Storage Box
- Anti-Skid plates

Undercarriage

- UC-2817mm length
- Track shoes 450mm
- Carrier roller per side : 1
- Track roller per side : 5

Lights

- Roof light 2X
- Boom light(left) 1x
- Platform 1x(Battery box)

Not all products are available in all markets. Under our policy of continuous improvement, we reserve the right to change specifications and design without prior notice. The illustrations do not necessarily show the standard version of the machine.

SANY

ADDR SANY EUROPE GMBH
SANY ALLEE 1, D-50181 BEDBURG

TEL 0049 2272 90531 100

FAX 0049 2272 90531 109

MAIL info@sanyeurope.com

NET www.sanyeurope.com



facebook.com/sanyeurope