



Engine	Cummins B6.7, EU Stage V
Max Gross Power	145 kW (194 hp) @ 2,200 rpm
Max Net Power	136 kW (182 hp) @ 2,200 rpm
Operating Weight	16,500 kg (36,376 lbs)
Standard Bucket Size	2.7 m ³ (3.5 yd ³)
Bucket Breakout Force	117 kN(26,302 lbf)
Standard Dump Clearance	2,774 mm (9'3")

848H WHEEL LOADER

TOUGH WORLD. TOUGH EQUIPMENT.

You don't need to be told it's a tough world. It's your reality, you live it every day and you know how hard it can be on your people and your machines. It's getting tougher to make your business pay too, with rising costs, increasing legislation and greater competition. We understand and we've put that insight into action with our newest middle weight wheel loader, the 848H. Our aim is to give you powerful, adaptable machines to bring real, multi-tasking benefits to the jobsite.

NO TOUGH COMPROMISES, JUST EVERYTHING YOU NEED AND NOTHING YOU DON'T

The construction equipment industry has seen an expensive trend towards over-engineered products. Some manufacturers genuinely believe that adding cost, adds perceived value in customers' eyes.

BUT YOU TOLD US A DIFFERENT STORY

You asked for tough, well-engineered wheel loaders, with the ability to adapt to any situation and handle multiple jobs with ease.

YOU WANTED HARD WORKING WHEEL LOADERS THAT DELIVER ON 3 ESSENTIAL NEEDS:

1



JOBSITE ADAPTABILITY

2



UPTIME AND SUPPORT

3



TOTAL COST OF OWNERSHIP



With the new 848H, we've risen to your challenge and given you everything you want – a choice of tough, multi-tasking, versatile wheel loaders – built without compromise.



TOUGH FACTS

AWARD WINNING DESIGN

Our UK-based design team has invested thousands of man hours to really understand how our machines are used every day. This insight shapes our innovative approach to product design. Our design team recently won a prestigious Red Dot Award for our D-Series Grader and all our products this award-winning design DNA.

TOUGH RESEARCH AND TESTING

Finding tougher, smarter, safer and more cost-effective ways of working matters to you. It matters to us too. Our new Global Research & Development Centre is a great example of this customer focused approach. We've established an international team of industry experts, backed up with the latest world-class technology, all focused on delivering greater value to you.

TOUGH QUALITY STANDARDS

When it comes to quality, we let our actions to speak for themselves.

We follow a rigorous Six Sigma methodology and consistently achieve ISO 9001 standards.



JOBSITE ADAPTABILITY

To ensure real return on investment you demand machines that can quickly adapt to any situation on the jobsite and handle multiple jobs with speed and precision. Our new 848H wheel loaders, combined with our perfectly matched quick coupler and attachments, create the ultimate in multi-tools. Here is a selection of key benefits, common to both of our new machines.

1 CUMMINS ENGINE

Unmatched performance driven by the Cummins B 6.7 Tier 4F / Stage V Engine - maximizing torque output and delivering more power and breakout force at lower engine speeds.

2 TRANSMISSION

The new 4/5-speed ZF power shift transmission, including torque converter, provides maximum transfer of power to improve performance and fuel efficiency.

3 ADVANCED HYDRAULIC SYSTEM

LiuGong's new-generation advanced hydraulic system organizes the mechanical, electrical and hydraulic systems to work in perfect harmony. Power is supplied only as needed, achieving optimum operation.

4 CONTROL

Kick-down and forward/reverse buttons are conveniently located on the loader joystick for efficient operator use, reducing cycle times and improving productivity.

5 Z-BAR LINKAGE

Optimized Z-Bar geometry positions the bucket closer to the tires, achieving high bucket breakout forces and stable transport of materials with minimal spillage.

6 AXLES

The new conventional front and rear axles deliver versatility and durability for this class of machine which can be used in a wide range of applications.





7 VERSATILITY

Our ISO 23727 compliant quick coupler helps you to get the most out of your machine by easily and quickly switching between a range of attachments to accommodate your needs.

8 EXTENSIVE VISIBILITY

The panoramic view cab with curved front glass, along with well positioned lift arms, allow the operator easy line of sight to the bucket edge at ground level.

9 FOPS/ROPS CAB

Rollover Protection System on the cab (ROPS) is standard to ensure operator protection in the unlikely event of the machine rolling over. Falling Objective Protection System (FOPS) is standard to guarantee extra peace of mind.

10 AUTO-IDLE SPEED FUNCTION

Optimizing and controlling engine speed is key to reducing fuel consumption. The Auto-Idle Speed function provides optimal control in allocating the required RPM for the work required.



TOUGH JUDGES

Wheel loader operators are tough judges. They know what they like and what they don't. We've talked, we've listened and we've delivered a no-nonsense wheel loader that will do everything the operator wants and needs it to do.

Job done? Judge for yourself.

500,000

SHARING OUR CUSTOMERS' SUCCESS

No matter what we say or how passionately we argue our case, ultimately jobsite adaptability comes down to one unavoidable question.

Can our machines really cut it in the real world?

Our answer?

Ask the satisfied owners of the **500,000** LiuGong wheel loaders already delivered. Their trust in our knowledge, their satisfaction in our product and their loyalty, have made LiuGong one of the world's largest wheel loader manufacturers.

Don't take our word... take theirs.





MACHINES DELIVERED

“ GETS THE JOB DONE

I have been the operator of this LiuGong wheel loader since the company purchased it three years ago... It is used day in, day out, eight-to-ten hours a day, five and sometimes six days a week. Even though stone mines are tough on machinery we have not had any major problems. Age has not effected the controls; they are still just as reactive and the engine and lifting performance is still as strong as the day it arrived.

Eszak Terko Ltd – Hungary

“ A CREDIBLE CHOICE

Even though we know that Chinese brands will be future leaders in the construction industry, we were a little uncertain about what LiuGong could offer, so we did a lot of research online before committing to the purchase. We found that LiuGong is a major player globally and that most of the technical components are from Western Europe so there is very little risk.

If we do have a problem, there is a European parts warehouse in Poland and the local dealer provides good support.

Van Dijk Infragroep – the Netherlands



MORE POWER LESS CONSUMPTION

The new 848H wheel loader has much more to offer than high power and great productivity. In terms of **efficiency** and fuel consumption, the new LiuGong 848H integrates the strongest technologies, including a power shift transmission and advanced load sensing hydraulic system, allowing you to be far **more productive**.

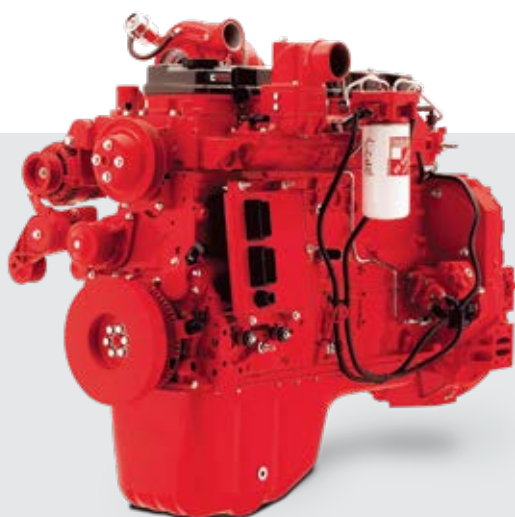


INTEGRATED CUMMINS ENGINES for HIGHER CONTINUOUS POWER

The new 848H comes equipped with a fuel efficient, world-class Cummins B6.7 engine that maximizes torque output and delivers more power at lower engine speeds while also optimized for fast throttle response. The integrated exhaust system provides maximum fuel efficiency over the working cycles. Compact and optimized DOC+DEF+SCR with EGR free technology achieves Tier 4F / Stage V emissions regulations with the unique combination of high performance and low fuel consumption.

KEEP it COOL

The cooling system has been totally redesigned on the new 848H for better efficiency and lower fuel consumption. The air flow from radiator to fan together with the newly developed hexagon grill considerably improves ventilation. The variable hydraulic fan drive reduces nominal power needs from the cooling system. Operator has the ability to select automatic reverse airflow to increase radiator clean-out intervals.



AUTO-IDLE SPEED FUNCTION

Optimizing and controlling engine speed is key to reducing fuel consumption. The Auto-Idle Speed function on the new 848H allows optimal engine RPM for your job. If no activity is detected in 10 minutes, engine speed will reduce to idle speed. When the system detects commanded work, the engine immediately returns to the current throttle setting speed.

ADVANCED LOAD SENSING HYDRAULIC SYSTEM

LiuGong's new-generation advanced hydraulic system ensures the mechanical, electrical and hydraulic systems work in perfect harmony. This technology perfectly matches the hydraulic flow with the operation. Power is only supplied as needed, achieving optimal operational efficiency. LiuGong's load-sensing hydraulic system allocates power to the work and steering functions according to demand, ensuring fast response and excellent efficiency. Smooth, coordinated operation through superior control of both the boom and the attachment is easily achieved. Power is distributed efficiently based upon the operator's command and need of the job.

Cummins B6.7

6-cylinder, 6.7 liter, turbocharged, common-rail
Net power rating of 136 kW (182 hp) @ 2,200 rpm.



TRANSMISSION EFFICIENCY

The new 848H integrates ZF Powershift transmissions available in two types: 4 or 5 speeds. 5 speeds version comes with a lock up clutch torque converter that has been optimized for maximum transfer and no interruption of the power to the transmission for optimum performance and fuel efficiency. Optimized gear ratios and auto-shift functionality provide faster acceleration and faster cycle times, regardless of the application. Kick-down and Forward/Reverse buttons are conveniently located on the loader joystick for efficient operator/machine interface, further reducing cycle times and improving production and efficiency. With the kick-down function, the operator can lower the gear with the tip of a finger and thus increase the torque generated by the engine for more breakout force and loading capability. Convenient location of controls provides the operator full control of loader and transmission functions - efficiently connecting the machine to the work site.

848H WHEEL LOADER





DESIGNED TO GET MORE DONE

The new 848H has a **redesigned** Z-bar and bucket that gives you the **maximum production** on the job site.



Z-BAR LINKAGE TO SUPPORT PAYLOAD PERFORMANCE

Our optimized Z-Bar geometry positions the bucket closer to the tires, achieving 6% higher bucket breakout forces with maximum rollback. Stable transport of materials with minimal spillage is easily achieved. The option of hydraulic quick coupler attachment adds versatility to Z-bar machines, allowing use of multiple tools to suit the job-site needs.

NEW BUCKET DESIGNED FOR BETTER PAYLOAD

The bucket of the newly designed 848H wheel loader has increased fill factor and material retention. The 848H loads more easily and carries more, which significantly increases productivity.

ADVANCE LOAD SENSING HYDRAULIC SYSTEM

LiuGong's new-generation advanced hydraulic system ensures the mechanical, electrical and hydraulic systems work in perfect harmony. This technology perfectly matches the hydraulic flow with the operation. Power is only supplied as needed, achieving optimal operational efficiency. LiuGong's load-sensing hydraulic system allocates power to the work and steering functions according to demand, ensuring fast response and excellent efficiency. Smooth, coordinated operation through superior control of both the boom and the attachment is easily achieved. Power is distributed efficiently based upon the operator's command and need of the job.



AXLES

The 848H utilizes new conventional axles to deliver greater versatility and durability for this class of machine which can be used in a wide range of applications and match all terrains.

LiuGong axles ensures all four wheels remain on the ground even over irregular terrain, with stability and traction further enhanced by rigidly mounting the front axle to the frame to support the entire weight of the wheel loader. This added support also aids in resistance to internal torque loads as well as external forces encountered throughout operation. The rear axle is designed to allow for $\pm 12^\circ$ oscillation.

RIDE CONTROL

LiuGong's new generation ride control, coupled with an automated bucket positioning feature, absorbs shocks and improves ride quality over any terrain. The improved ride ensures material is retained in the bucket and helps improve all round operator comfort, confidence and productivity.

OPERATOR-FRIENDLY ENVIRONMENT

Ergonomically designed controls and new larger cab, increased visibility and convenient features all contribute to operator comfort and overall productivity on the job site.

Extensive visibility

The new 848H has been designed to offer optimized visibility. A panoramic view cab with curved front glass and with well-positioned lift arms allows the operator a clear line of sight to the bucket edge at ground level. The view to machine corners is optimized and can be further enhanced with selection of the rear-view camera for an extra eye on the job site.

EASY OF OPERATION

For easy operation, electronic joystick lever the operator simultaneous and precise control of the hydraulic system. Forward and reverse shifting and kick-down functions are positioned for optimum operator use, improving productivity and reducing operator fatigue.



COMFORTABLE ENVIRONMENT

Cab design maximizes the space available in the cabin for the operator. The vertically and horizontally adjustable air suspension seat provides the operator benefits of maximum comfort and less fatigue. Thanks to the optimized design of the front glass, the new electric system, high quality sealing and the efficient cooling compartment, the sound level inside the cabin is minimized to: 70 dB (A).

FRESH AIR ALWAYS

The new 848H cab is designed with balanced air recycling ventilation to achieve positive pressure and continuous fresh air inside. A/C is equipped with eight all-around outlets to keep the cabin at a comfortable temperature at all times. The easy-to-replace air filter restricts dust and particles from entering the cab.



MASTER YOUR ROUTINE

The 848H benefits from a number of **innovations** implemented to make your life easier when it comes to maintenance and serviceability. The 848H gives you piece of mind so that you can concentrate on your business and **maximize your profitability.**

ONBOARD MONITORING

With on board monitoring, the operator can check the machine's vital signs; oil temperatures and pressure levels, receive service interval alerts and access all the information that contributes to simple maintenance and servicing of the machine, right from his seat.

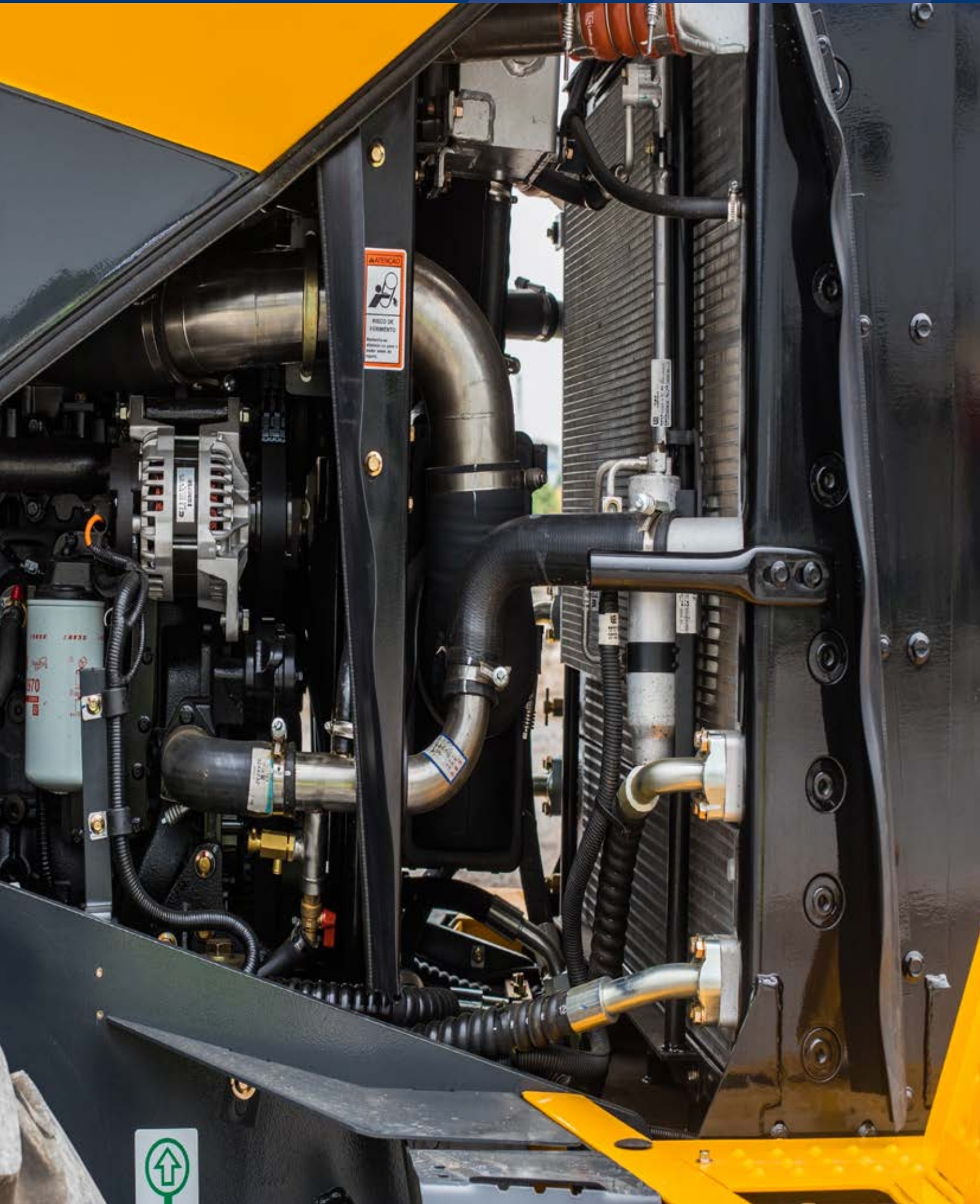


AUTO LUBE SYSTEMS

There is great serviceability all around the 848H. The Autolube is standard feature on all LiuGong wheel loaders which contributes to your machine's uptime.

SAFE MAINTENANCE

All pressure taps and sight gauges are easily accessible. Fluid drains provide environmental friendly drainage capability and are grouped together for convenient serviceability.





JOBSITE UPTIME AND SUPPORT

Heavyweight credibility might convince you to buy your first machine, but it's uptime and support and total cost of ownership which will keep you coming back to buy more machines. Having confidence in the machine's back up and support network is a vital part of the purchasing decision. How do we at LiuGong measure up?

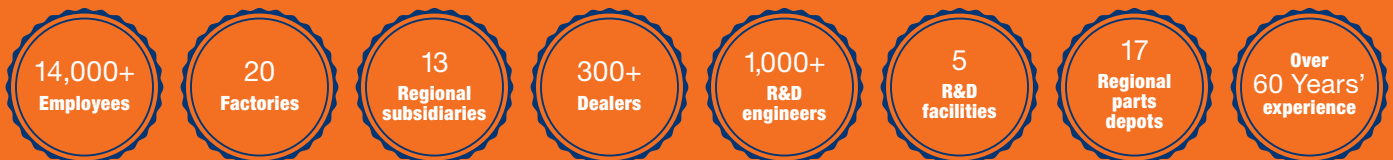
FAST RESPONDING GLOBAL NETWORK

We have an extensive dealer network of over 300 dealers in more than 100 countries.

All supported by 13 regional subsidiaries and 17 regional parts depots offering expert training, parts and service support.



WE ARE LIUGONG. WORKING HARD TO KEEP OUR GLOBAL CUSTOMERS EARNING



WHERE YOU NEED US WHEN YOU NEED US

Reliability is built into our machines but all machines have some planned downtime. Our aim is to reduce even planned down time to the minimum by getting it right. Technician training and parts availability are also high on our agenda, as is keeping you

informed on service and maintenance work and providing clear and accurate estimates, invoices and communication.

These may be small things, but customer feedback tells us that these basics really matter – so we aim to get them right.

MAINTENANCE AND SUPPORT PACKAGES

From genuine LiuGong parts, to full repair and maintenance contracts, LiuGong has the flexibility to offer the level of support and response to suit your business and applications. Whatever level of support you choose you can be confident that it is backed up by LiuGong's service promise.



**Right parts.
Right price.
Right service.**

**Above all,
we get it right
the first time.**

1st



LIUGONG SERVICE PROMISE



Highly trained technicians utilizing the latest diagnostic equipment



15,000+ Genuine LiuGong parts available within 24hrs from our European Parts Distribution Center



Multi-lingual Service helpline and online support



Transparent estimates and invoicing



Clear communications through electronic parts catalogue



TOTAL COST OF OWNERSHIP

Jobsite adaptability and uptime & support are two key wheel loader purchasing criteria but ultimately, the machine's earning potential, its overall life cost and its trade-in value really matter too.

When it comes to total cost of ownership LiuGong has a strong story to tell.

PROFESSIONAL ADVICE

We are committed to reducing your total cost of ownership and increasing your profits. As part of this, LiuGong's experts will provide targeted advice on everything, from choosing the right machine for your needs to maximizing its efficiency on site.

MACHINE AVAILABILITY

Our machines deliver everything you need and nothing you don't. They are expertly engineered NOT over engineered. As a result of having an extensive manufacturing operation right in the heart of Europe, we can offer significantly shorter lead times on a range of models, compared with some

manufacturers. In fact, we can deliver selected machines in as little as 4 weeks.

The faster you can get a machine – the faster you can get working and earning. Our aim is to get you on to the jobsite fast.

TICKET PRICE

At LiuGong, our aim is to provide you with real, measurable value by giving you everything you need and nothing you don't. We choose high quality, proven components and parts from world-renowned brands and suppliers.

These proven components, combined with LiuGong design and manufacturing quality, result in a high quality, competitive machine that is totally fit for purpose.

RESIDUAL VALUE

With the combination of LiuGong design and manufacturing excellence, world class components and comprehensive uptime support, our quality holds its value.





IT ALL ADDS UP

With our new wheel loaders we've risen to the challenge and given you everything you need and nothing you don't.

They can handle any job, anywhere and are backed up by LiuGong's service promise. Add up the benefits and you'll see that our new 848H have the formula for success.



FIT FOR PURPOSE

+

**UPTIME AND
SUPPORT**

+

**TOTAL COST
OF OWNERSHIP**

CUSTOMER SATISFACTION

SPECIFICATIONS

Operating weight 16,500 kg (36,376 lbs)

Operating weight includes the machine weight with standard work device, no additional equipment or accessories, full fuel tank, all fluids at required level and an operator 75 kg (165 lbs).

Bucket capacity 2.5 - 5 m³ (3.3 - 6.6 yd³)

ENGINE

Description

Cummins EPA Tier 4F / EU Stage V approved, 6.7 liter (1.8 gal), 6-cylinder straight turbocharged diesel engine with Common Rail fuel injection system and DOC+DEF+SCR.

Cummins Variable Geometry Turbocharger (VGT) improves engine response at both low and high speed RPM.

Cummins CM2350 (improved microprocessor and memory) ECM lever latch connections. Integrated DEF controller.

Auto idle – saves fuel, idle time is 10 mins, idle speed at 700 rpm.

Air cleaning: Cummins direct flow air filter.

Cooling system: Air-to-air inter-cooler, hydraulic motor drive and temperature controlled fan.

Emission rating	EPA Tier 4F EU Stage V
-----------------	---------------------------

Make	Cummins
------	---------

Model	B6.7
-------	------

Engine Output - Max Gross (SAE J1995 / ISO 14396)	145 kW (194 hp) @ 2,200 rpm
---------------------------------------------------	-----------------------------

Engine Output - Max Net (SAE J1349 / ISO 9249)	136 kW (182 hp) @ 2,200 rpm
------------------------------------------------	-----------------------------

Peak torque	881 N.m (650 lbf-ft)
-------------	----------------------

Displacement	6.7 L (1.8 gal)
--------------	-----------------

Number of cylinders	6
---------------------	---

Aspiration	Turbocharged & Air-to-air intercooled
------------	---------------------------------------

AXLES

Model	LiuGong (Wet type)
-------	--------------------

Differential front type	Conventional
-------------------------	--------------

Differential rear type	Conventional
------------------------	--------------

Axle oscillation	±12°
------------------	------

TRANSMISSION 1

Description

Torque converter: single-stage, three elements. Transmission: ErgoPower ZF 4BP 190 countershaft transmission, integrated pilot single joystick with FNR, KD & horn.

Gearshifting system: ZF Automatic Power Shift with auto modes all start in gear 2, faster and better for long distance material transport.

Transmission type	Countershaft, power shift
-------------------	---------------------------

Torque converter	Single stage, three elements
------------------	------------------------------

Maximum travel speed, fwd	39 km/h (24.2 mph)
---------------------------	--------------------

Maximum travel speed, rev	26 km/h (16.2 mph)
---------------------------	--------------------

Number of speeds	4F/3R
------------------	-------

TRANSMISSION 2

Description

Torque converter: single-stage, three elements. Transmission: ErgoPower (Lock Up) ZF 5WG 190 countershaft transmission, integrated pilot single joystick with FNR, KD & horn.

Gearshifting system: ZF Automatic Power Shift with auto modes all start in gear 2, faster and better for long distance material transport.

Transmission type	Countershaft, power shift
-------------------	---------------------------

Torque converter	Single stage, three elements
------------------	------------------------------

Maximum travel speed, fwd	39.3 km/h (24.4 mph)
---------------------------	----------------------

Maximum travel speed, rev	29 km/h (18 mph)
---------------------------	------------------

Number of speeds	5F/3R
------------------	-------

BRAKES

Description

Two independent brake circuits, disks out of rim, accurate control with the advanced main valve & piston pump.

Service brake type	Wet discs brake
--------------------	-----------------

Service brake actuation	Hydraulic
-------------------------	-----------

Parking brake type	Manual electronic control
--------------------	---------------------------

Parking brake actuation	Hydraulic
-------------------------	-----------

HYDRAULIC SYSTEM

Description

System supply: Load-sensing axial piston pump with variable displacement.

The steering function always has priority.

Valves: Double-acting 3-spool valve. The main valve is controlled by a 3-spool pilot valve.

Lift function: The valve has four positions: lift, hold, lower, and float. Inductive/magnetic automatic boom kick-out can be switched on and off and is adjustable to two positions: bucket at ground Level and maximum reach full lifting height.

Tilt function: The valve has three functions: rollback, hold and dump.

Cylinders: Double-acting cylinders for all functions.

Filter: Full-flow filtration through 12 micron (absolute) filter cartridge.

Main pump type	Piston
----------------	--------

Main relief pressure	26 MPa (3,770 psi)
----------------------	--------------------

Raise	5.2 s
-------	-------

Dump time	1.5 s
-----------	-------

Float down time	3.2 s
-----------------	-------

Fastest total cycle time	9.9 s
--------------------------	-------

Controls	Electronic joystick
----------	---------------------

STEERING

Description

Steering system: Load-sensing hydraulic articulated steering.

System supply: The steering system has priority feed from a load-sensing axial piston pump with variable displacement.

Steering cylinders: Two double-acting cylinders.

Steering configuration	Articulated
------------------------	-------------

Steering relief pressure	20.7 Mpa (3,002 psi)
--------------------------	----------------------

Steering cylinders	2
--------------------	---

Cylinder bore	80 mm (3.1")
---------------	--------------

Rod diameter	45 mm (1.8")
--------------	--------------

Stroke	420 mm (16.5")
--------	----------------

Maximum flow	202 L/min (53 gal/min)
--------------	------------------------

Maximum articulation	±38°
----------------------	------

Minimum Turning Radius(over tire)	5,475 mm (18')
-----------------------------------	----------------



ELECTRICAL SYSTEM

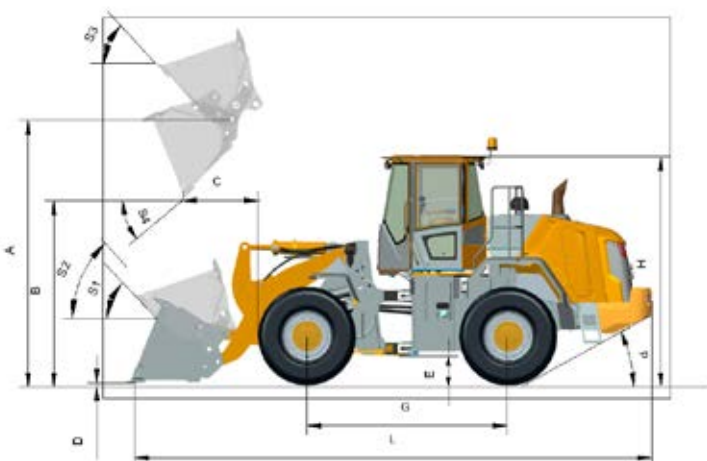
Description

Central warning system is a centralized electrical system with central warning light and buzzer for following functions: Serious engine fault, Low steering system pressure, Interruption in communication (computer failure), Low engine oil pressure, High engine oil temperature, High charge air temperature, Low coolant level, High coolant temperature, Low transmission oil pressure, High transmission oil temperature, Low brake pressure, Engaged parking brake, Brake charging failure, High hydraulic oil temperature.

Voltage	24 V
Batteries	2 x 12 V
Battery capacity	2 x 120 Ah
Cold cranking capacity, approx	850 A
Reserve capacity	230 min
Alternator rating	1,680 W / 70 A
Starter motor output	7.8 kW (10.5 hp)

SERVICE REFILL CAPACITIES

Fuel tank	200 L (52.8 gal)
Engine oil	14.2 L (3.8 gal)
Cooling system	44 L (11.6 gal)
Hydraulic system	180 L (47.6 gal)
Transmission and torque converter	40 L (10.6 gal)
Axles, each	43 L (11.4 gal)
DEF tank	50 L (13.2 gal)



SOUND & ENVIRONMENT

Sound level in cab according to ISO 6396-2008/EN ISO 3744-1995	70 dB(A)-- Travel mode
Sound level in cab according to ISO 6396-2008/EN ISO 3744-1995	70 dB(A)-- Stationary work cycle mode
External sound level according to ISO 6395-2008	103.5 dB(A)-- Travel mode
External sound level according to ISO 6395-2008	103.5 dB(A)-- Stationary work cycle mode
Ventilation	650 m ³ (850 yd ³)
Heating capacity	5.8 kW (7.8 hp)
Air Conditioning	6 kW (8 hp)

DIMENSIONS

E Ground clearance	400 mm (1'4")
G Wheelbase	3,050 mm (10')
H Cab height	3,394 mm (11'2")
J Wheel tread	2,150 mm (7' 1")
K Width over tires	2,670 mm (8'9")
L Length with bucket down	8,100 mm (26'7")
M Turn angle, either side	38°
P Rear angle of departure	28°
R ₁ Turning radius, bucket carry	6,494 mm (21'4")
R ₂ Turning radius, outside of tire	5,475 mm (18')

LOADER ARM PERFORMANCE WITH ATTACHMENT

Description

Tipping Load data is calculated with standard bucket at 2.7 m³ (3.5 yd³) and operating weight at 16,500 kg (36,376 lbs).

Tipping load - straight according to ISO 14397-1:2007	11,645 kg (25,673 lbs)
Tipping load - full turn according to ISO 14397-1:2007	10,292 kg (22,690 lbs)
Bucket breakout force	117 kN (26,302 lbf)
A Maximum hinge pin height	3,937 mm (12'11")
B Dump clearance at full height discharge	2,774 mm (9'1")
C Dump reach at full height discharge	1,170 mm (3'10")
D Maximum digging depth, bucket level	75 mm (3")
S ₁ Bucket rollback at ground level	44.5°
S ₂ Bucket rollback at carry	48.5°
S ₃ Bucket rollback at maximum height	62°
S ₄ Maximum dump angle at full height	45°

CAB

Description

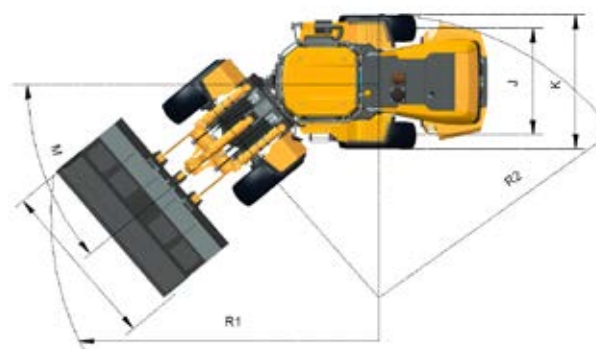
Instrumentation: All important information is centrally located in the central instrument panel and operator's field of vision.

Large curved front glass, rear view camera and mirrors ensure great visibility.

Adjustable steering column, air suspension seat, armrest box and Denso A/C with all-around air outlets.



Pressurized cab with lower interior noise.

The cab is tested and approved according to ROPS (ISO 3471), FOPS (ISO 3449).



TIRES


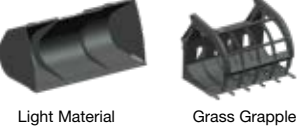


Choosing the right tyres for your machine will become a key competitive advantage to achieve outstanding performance. Through close engineering and development cooperation with renowned and carefully selected suppliers, LiuGong can offer full range of tyres specially tailored for wheel loader.

Code	Application	Patterns	Size	PR / *	Tube Type	Width	Overall Diameter	Tread Depth	Load Capacity
L3	in sand operation in all kind of load/carry operation The L3-tread is not as open as L2 and has consequently less self-cleansing compared with an L2 tyre		20.5 R 25	*	TL	520 mm (1'6")	1,490 mm (4'4")	28.5 mm (1.1")	5,600 / 9,500 kg (50 / 10 km/h) (12,345 / 20,943 lbs) (31.1 / 6.2 mph)
Solid Tire	Safe, durable, puncture-resistant, economical, maintenance-free, easy to operate in generally smooth roads, short-distance operation		17.5 R 25	/	Solid Tire	520 mm (1'6")	1,490 mm (4'4")	/	9,900 / 9,000 kg (10 / 20 km/h) (21,825 / 19,841 lbs) (6.2 / 12.4 mph)

Note: The radial tire-load bearing capacity is indicated by the number of stars (*). More stars, greater radial tire-load bearing capacity. For the specific radial tire sizes listed in the table above, 2 stars (**) represents the maximum radial tire-load bearing capacity.

ATTACHMENTS

LiuGong attachments with pin-on or quick-coupler ensure high quality. The integrated design of the system creates a perfect match to achieve superior productivity.

Type	Capacity	Width	Height	Digging Depth	Dump Clearance	Dump Reach	Description	Attachment Drawing
General Purpose	2.6 m ³ (3.4 yd ³)	2,900 mm (9'6")	1,347 mm (4'5")	38 mm (1")	2,971 mm (9'9")	954 mm (3'2")	Anti-Wear Blade with Welded Teeth	
	2.7 m ³ (3.5 yd ³)	2,910 mm (9'7")	1,300 mm (4'3")	71 mm (3")	2,877 mm (9'5")	1,002 mm (3'3")	Anti-Wear Blade with Bolt-on Cutting Edge and Bolt-on Teeth.	
	3.0 m ³ (3.9 yd ³)	2,928 mm (9'7")	1,352 mm (4'5")	70 mm (3")	2,862 mm (9'5")	1,018 mm (3'4")	Bolt-on Cutting Edge; Bolt-on Teeth; Bolt-on Cutting Edge and Bolt-on Teeth.	
	3.3 m ³ (4.3 yd ³)	2,928 mm (9'7")	1,392 mm (4'7")	70 mm (3")	2,791 mm (9'1")	1,089 mm (3'8")	Bolt-on Cutting Edge; Bolt-on Teeth.	
Light Material	3.5 m ³ (4.6 yd ³)	2,928 mm (9'7")	1,413 mm (4'7")	68 mm (3")	2,758 mm (9')	1,124 mm (3'8")	Bolt-on Cutting Edge.	
	4.2 m ³ (5.5 yd ³)	3,168 mm (10'5")	1,429 mm (4'8")	68 mm (3")	2,700 mm (8'10")	1,183 mm (3'11")	Bolt-on Cutting Edge.	
	5.0 m ³ (6.5 yd ³)	3,140 mm (10'4")	1,501 mm (4'11")	38 mm (1")	2,624 mm (8'7")	1,301 mm (4'3")	Bolt-on Cutting Edge; Bolt-on Cutting Edge and Welded Teeth.	
Rock	2.5 m ³ (3.3 yd ³)	2,866 mm (9'5")	1,353 mm (4'5")	46 mm (1")	2,902 mm (9'6")	1,012 mm (3'3")	V-Shape Anti-Wear Blade.	
	Φ1000 mm (3'3")	2,640 mm (8'8")	1,732 mm (5'8")	65 mm (3")	2,442 mm (8')	1,444 mm (4'9")	Aligned Teeth.	
Grapple	Φ350 mm (1'1")	2,600 mm (8'6")	1,520 mm (5')	38 mm (1")	2,674 mm (8'9")	1,251 mm (4'1")	Crossed Teeth.	



STANDARD EQUIPMENT

ENGINE

- Cummins B6.7 EPA Tier 4F / EU Stage V engine, output net power of 136 kW (182 hp), air-to-air inter-cooled, 6 cylinders, 4 stroke
- High Pressure Common Rail
- Exhaust emission control
- DC air filter, fuel filter
- Intelligent Power Control (IPC)
- Hydraulic and automatic driven reversible fan
- Grid heater

TRANSMISSION

- ZF automatic power shift transmission
- Kick-down function, FNR
- Transmission oil level sight gauge
- Secondary oil filter, oil stick
- Remote pressure taps for diagnostics
- Auto shifting mode by speed
- Interlock between parking brake and gear shifting

AXLE

- Liugong conventional front & rear axle
- Wet discs service brake system
- Parking brake service as secondary

HYDRAULIC SYSTEM

- Load sensing hydraulic variable displacement pump
- Third valve and multipurpose lines
- Manual electronic single joystick control
- Boom kick-out, automatic
- Bucket positioner, automatic
- Plug at the port of bucket and boom cylinder for pressure check
- Emergency boom lower via pilot accumulator
- Ride control

STEERING SYSTEM

- Load sensing system with flow amplification and steering priority
- Emergency steering system

TIRE & RIM

- 20.5-25/L3 Radial tire
- Full fender

CHASSIS FRAME

- Spacious central articulation arrangement with conic bearing
- Articulation locking bar
- Tow hitch
- Rubber cushion articulation stops

LINKAGE & ATTACHMENTS

- Z-bar linkage

ELECTRIC SYSTEM

- Two front lights with high/low beam
- Four front headlights on top of cab
- Four rear headlight on top of cab
- Turn signals with flasher
- Batteries, free of maintenance
- 24 V power outlet
- Electric horn
- Front and rear windshield wiper
- Electronic device compartment
- Back-up alarm
- Radio/player with USB port
- Bluetooth
- Reversing warning light, automatic
- Rotating beacon
- License-plate bracket and light

GAUGE GROUP

- Engine coolant temperature
- Transmission oil temperature
- Fuel level
- Hour meter
- Voltage
- Brake oil pressure

INDICATOR GROUP

- Air inlet heater
- Battery charging
- Parking brake applied
- Machine emergent stop
- Power cut-off
- Engine servicing
- Turning lights
- Engine starter running
- High/low beam

CAB

- Certified FOPS (ISO 3449) and ROPS (ISO 3471) cab
- Seat - air suspension and heated with 3 inch seat belt
- 4-way adjustable steering column
- Large curved front glass
- Viscose mounting cab
- Cab fresh air filter
- One interior & dual exterior rear-view mirrors
- Rear-view camera display
- Air conditioner
- Lunch-box/cooler holder
- One beverage holder
- Cigarette lighter
- Cab rear window defroster
- Sun visors
- Fire extinguisher
- Heated external rear view mirrors

OTHERS

- Automatic central lubrication
- Wedge block
- Rear light protective guard

OPTIONAL EQUIPMENT

ENGINE

- Cold start aid

HYDRAULIC SYSTEM

- Joystick steering

TIRE & RIM

- See tires options
- Tire protective chain

CAB

- Front windshield screen (must be mounted at factory)
- Rotating Alarm of Seat Belt
- Halogen lampTop of CAB
- HID lampTop of CAB
- Cab dust removal device (Air Inlet)
- Heater

LINKAGE & ATTACHMENTS

- Quick coupler
- High linkage
- Bolt-on wear-resist blade and teeth
- Rock bucket
- Grapple with aligned or crossed teeth
- Fork
- Snow blade

OTHERS

- Payload system
- Hood protective guard
- Front light protective guard
- Telematics



TRUCK & EQUIPMENT SERVICES SA
17, rue des Martyrs
L-7375 LORENTZWEILER
+352 33 34 35
info@tes.lu
www.tes.lu



Guangxi LiuGong Machinery Co., Ltd.

No. 1 Liutai Road, Liuzhou, Guangxi 545007, PR China
T: +86 772 388 6124 E: overseas@liugong.com
www.liugong.com

Like and follow us:



LG-PB-848H-EU Stage V-24-17012022-ENG

The LiuGong series of logos herein, including but not limited to word marks, device marks, letter of alphabet marks and combination marks, as the registered trademarks of Guangxi LiuGong Group Co., Ltd. are used by Guangxi LiuGong Machinery Co., Ltd. with legal permission, and shall not be used without permission. Specifications and designs are subject to change without notice. Illustrations and pictures may include optional equipment and may not include all standard equipment. Equipment and options varies by regional availability.